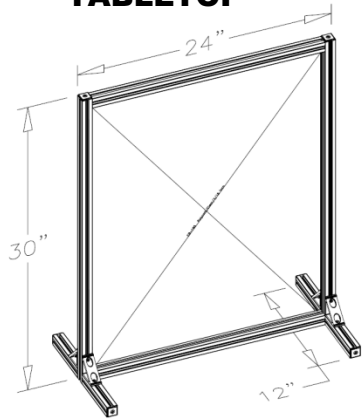




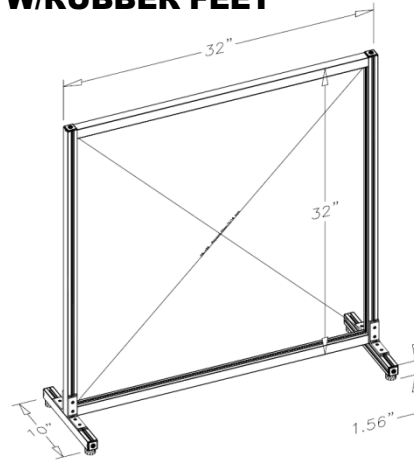
SAFETY BARRIERS FOR RETAIL & INDUSTRY

ALUMINUM T-SLOT EXTRUSIONS
9116 VIRGINIA ROAD
LAKE IN THE HILLS, IL 60156
Phone: 847/458-0993
Fax: 847/458-0934
www.frame-world.com
info@frame-world.com

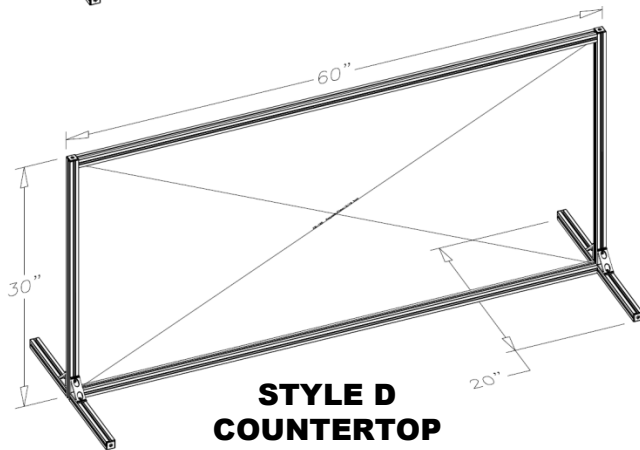
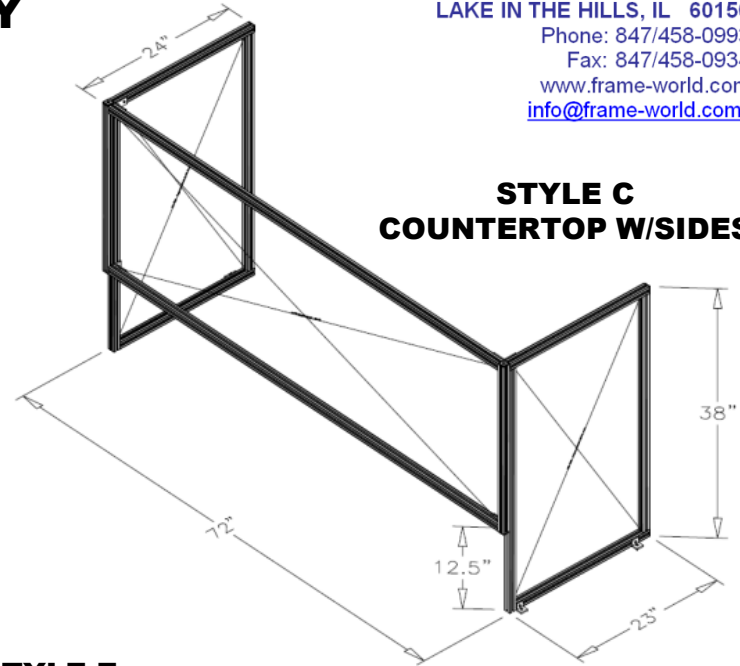
**STYLE A
TABLETOP**



**STYLE B
TABLETOP
W/RUBBER FEET**

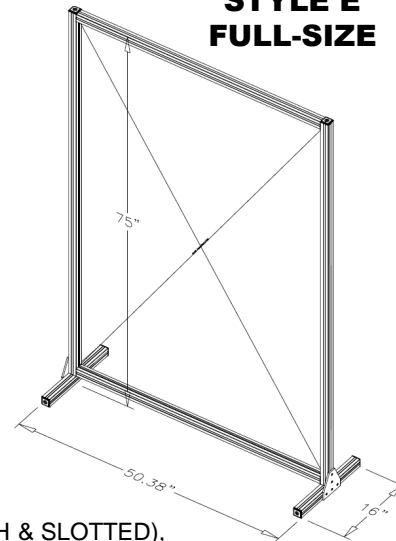


**STYLE C
COUNTERTOP W/SIDES**

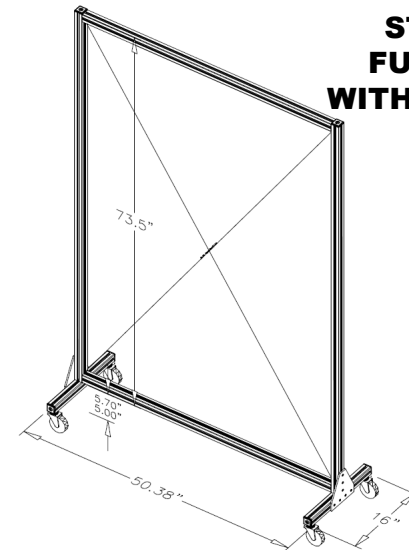


**STYLE D
COUNTERTOP**

**STYLE E
FULL-SIZE**



**STYLE F
FULL-SIZE
WITH CASTERS**



ALL STYLES CONFIGURABLE BY SIZE, EXTRUSION TYPE(SMOOTH & SLOTTED), EXTRUSION FINISH (CLEAR & BLACK), PANEL TYPE (CLEAR, TINTED, OR OPAQUE), MOUNTING (NONE, BRACKETS, FEET, CASTERS). SUPPLIED AS UN-ASSEMBLED KITS OR ASSEMBLED UNITS.